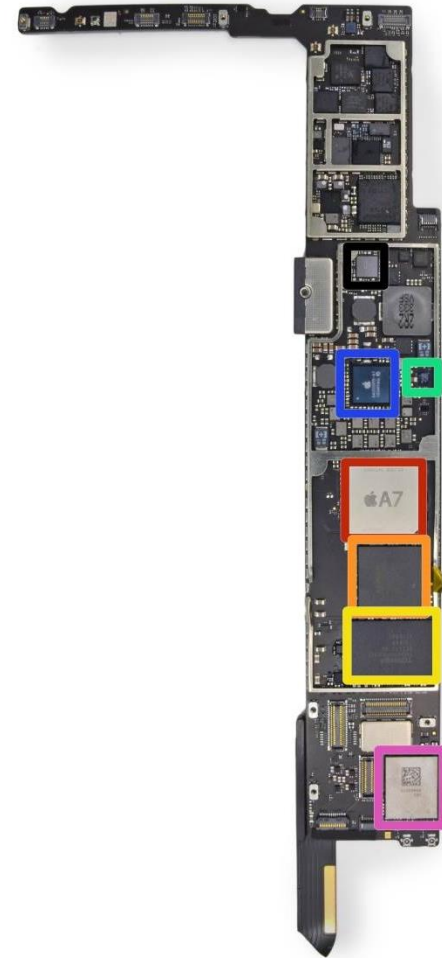


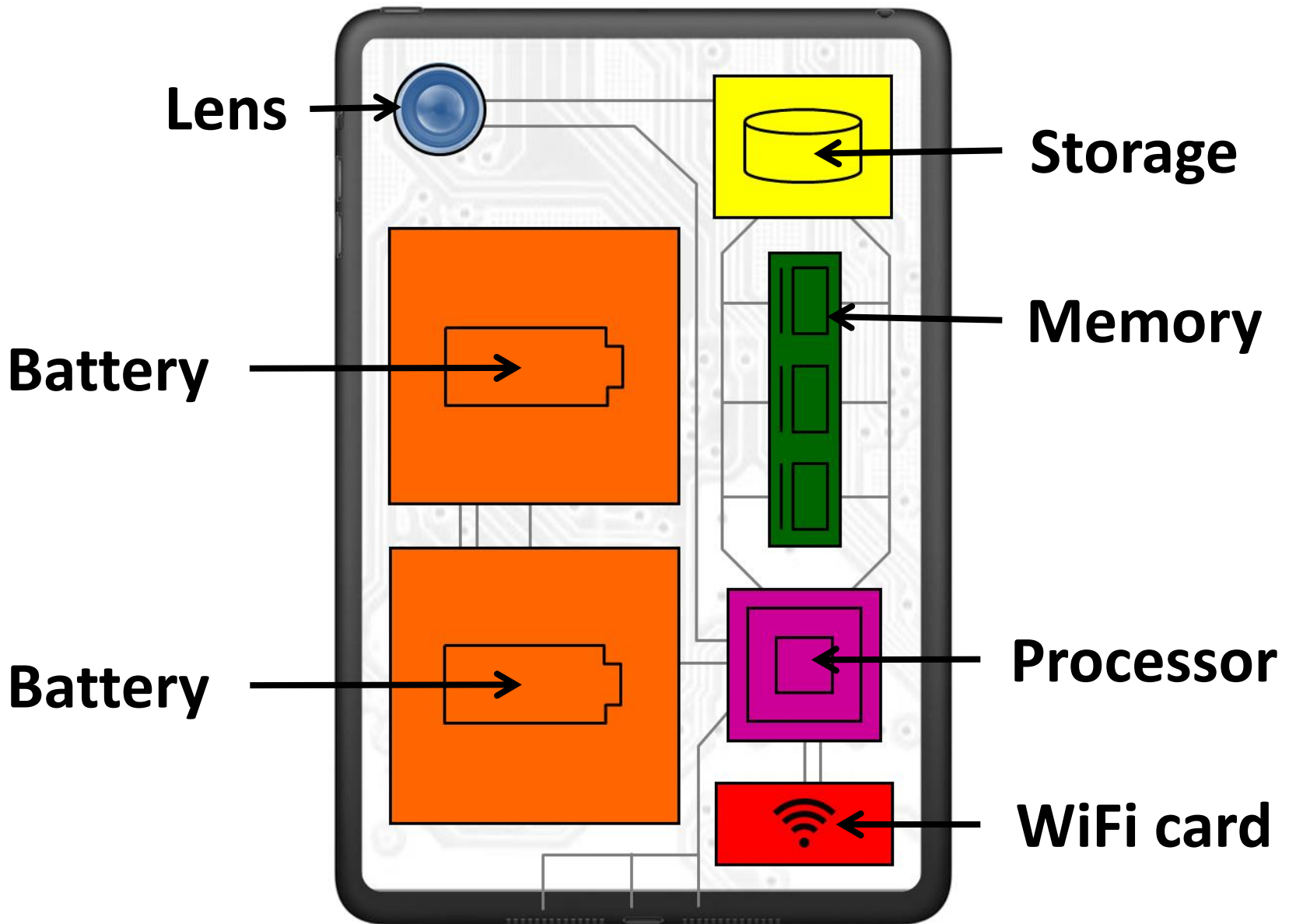


L.I. To identify computer components





L.I. To identify computer components





L.I. To identify computer components

Input devices

put information in

microphones



keyboards



lenses



Output devices

get information out

speakers



printers



monitor screens





L.I. To identify computer components

Inside an iPad

Input devices are: _____, _____ and _____.

Output devices are: _____, _____ and _____.

microphones

speakers

keyboards

monitor screens

printers

lenses



L.I. To identify computer components

① Identify where different components are

② Cut out the iPad carefully:

Good

✓ **Draw components** with their symbols on

✓ **Link components** on the motherboard

Great

✓ **Label** the computer components

Super

✓ **Explain** what **input and output devices** are



L.I. To identify computer components

① Identify where different components are

② Cut out the iPad carefully:

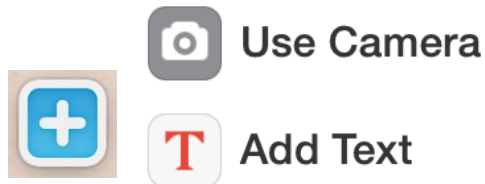
Good

✓ **Draw** components with their symbols on

✓ **Link** components on the motherboard

Great

✓ **Label** the computer components using *Pic Collage*



Super

✓ **Explain** what each computer component does